



Different processes of making iron

BY JESSE BOYCE

Meteorites

Ancient civilizations couldn't make iron or steel.

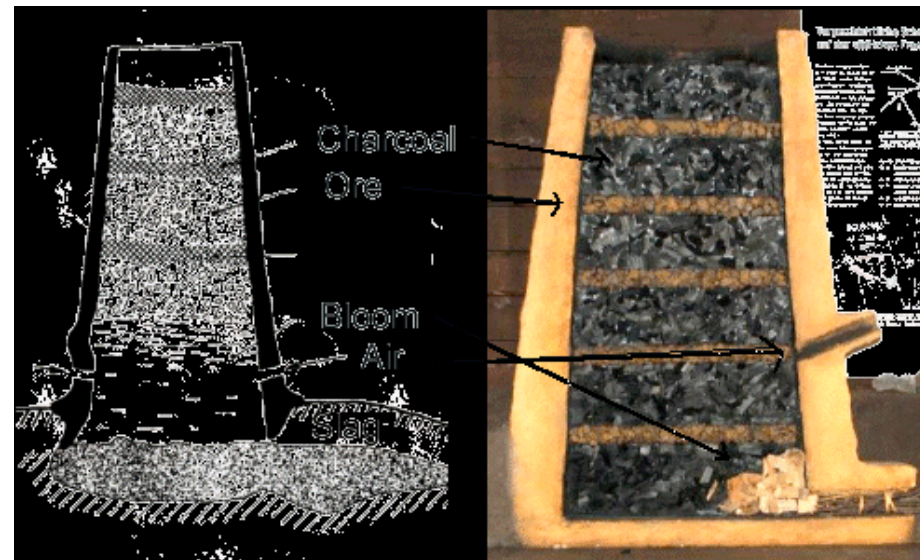
They used iron meteorites which dates back 4000 years ago



Bloomery

2000 years ago

Wrought and cast iron



Bloomery

Bloomeries made iron accessible to more people do the easy process of making one.

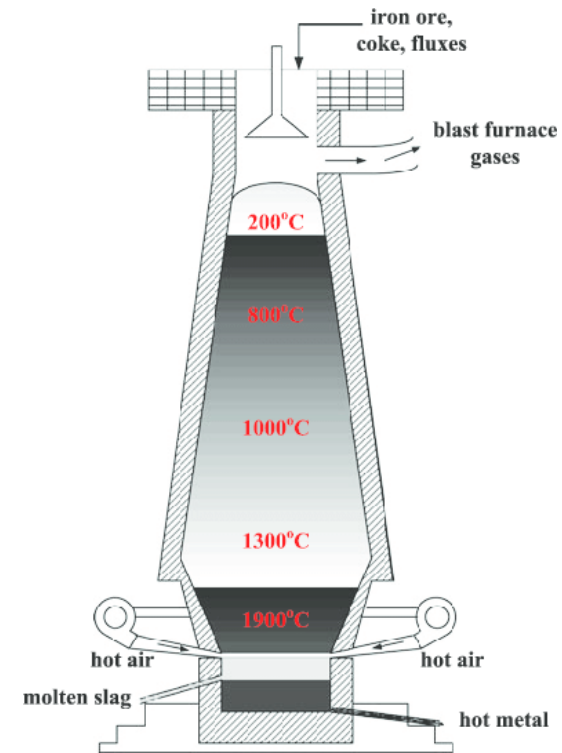
Real engineering bloomery explanation

https://www.youtube.com/embed/7E_zqy6xcw?start=240

Blast Furnace

This method had a greater production of iron than a bloomery

https://www.youtube.com/embed/7E_zqy6xcw?start=329



Puddling Furnace

Used to make wrought iron or steel from cast iron

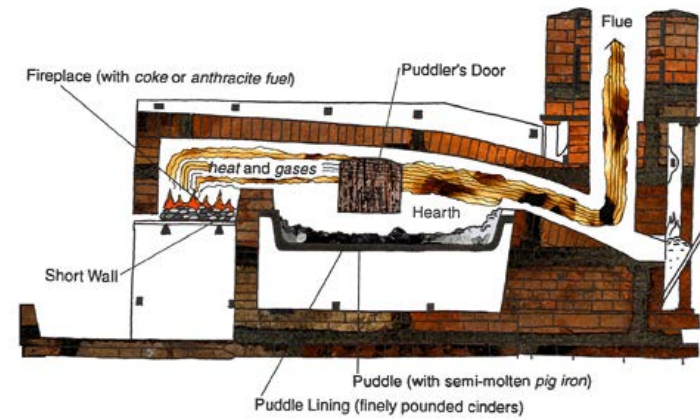
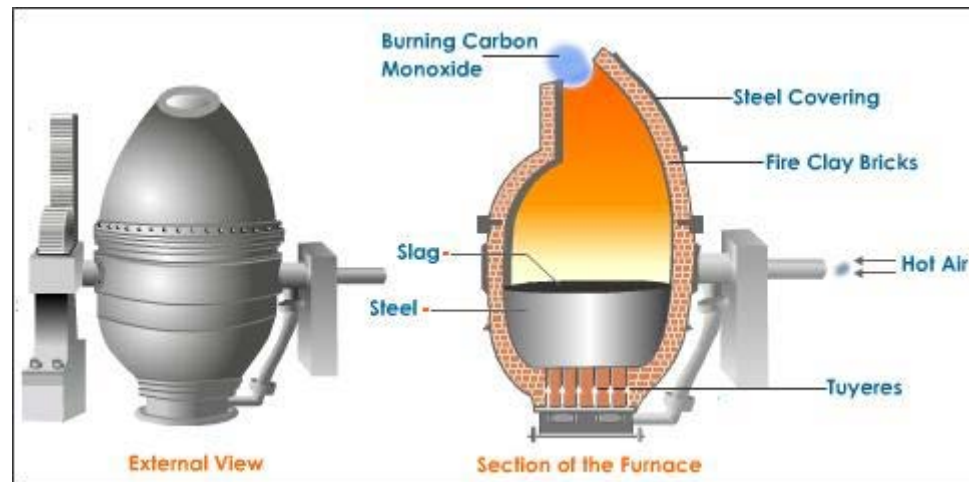


Fig. 9 Diagram of a rolling-mill puddling furnace.

Bessemer Converter

Used after a blast furnace to make wrought iron and steel

https://www.youtube.com/embed/7E_zqy6xcw?start=509



Citations

Real Engineering, The history of iron and steel https://www.youtube.com/watch?v=7E_zqy6

“The Steel Story.” *World Steel Association*, www.worldsteel.org/steelstory/.

The Editors of Encyclopædia Britannica. “Bessemer Process.” *Encyclopædia Britannica*, Encyclopædia Britannica, Inc., 27 Aug. 2019, www.britannica.com/technology/Bessemer-process.

Stiles, Ed. “Making Iron the Old-Fashioned Way Is a Tricky Business.” *UANews*, 4 Oct. 2005, uanews.arizona.edu/story/making-iron-old-fashioned-way-tricky-business.